



## HT Range Operators Handbook HT & HTS models

Covering Models:-

HT3	HT3-2P	HTS5
HT15	HT15-2P	
HT24	HT24-2P	

### BAMBI AIR COMPRESSORS LTD

152 Thimble Mill Lane  
Heartlands  
Birmingham  
B7 5HT  
Tel: 0121 322 2299  
Fax: 0121 322 2297

Email: [sales@bambi-air.co.uk](mailto:sales@bambi-air.co.uk)  
[www.bambi-air.co.uk](http://www.bambi-air.co.uk)

## Operating Manual

**Your Bambi Air Compressor is a precision engineered product.  
By following these simple steps you will ensure years of trouble free use.**

Parts & Service are available from your Bambi dealer.

It is important to quote Model, Type & Serial Number in all communications.

The substitution of parts not manufactured nor approved by Bambi can impair performance, service life and create potential mechanical or personnel hazards and will invalidate your warranty.

Bambi reserves the right to modify the contents of this operating booklet without notice and the information is in no way binding on the company.

## **Warranty**

Provided the operating instructions have been followed, and the compressor has been properly maintained, Bambi HT compressors are guaranteed against faulty workmanship for a period of 1 year.

The air receiver is guaranteed for 5 years.

The guarantee does not cover damage by misuse, incorrect parts or service.

Contact Bambi Air Compressors or your retailer for further information.

## 1) Safety Precautions

What you **must** do:

- Read these instructions before using your air compressor.
- Ensure the compressor has been installed, electrically connected and piped in by a properly qualified person.
- Ensure the compressor is kept upright at all times.

What you **must not** do:

- Do not attempt any maintenance on the compressor until it has been isolated from the power supply.
- Do not attempt any work on the compressor until the air receiver and pipe work systems are depressurised.
- Compressed air is dangerous if misused and can prove fatal. Avoid any bodily contact with compressed air.
- During operation the motor will become quite hot to the touch. Avoid contact to prevent burns.
- Never tamper with the pressure relief valve.
- Never lubricate the oil free motor or pump assembly; this will cause severe damage.
- Never obstruct cooling fans or outlet vents.

## 2) Siting The Compressor

What you **must** do:

- Provide adequate protection from the weather.
- Site the compressor level in both planes.
- Allow access for maintenance all around the compressor.
- Site in a dry area, avoiding damp or humid conditions. The site must be dust free, well ventilated and have a cool ambient temperature. 0 to 40°C should be regarded as the minimum and maximum allowable ambient.

What you **must not** do:

- Enclose the compressor or allow hot air generated by the motor to re-circulate around the compressor. Ensure there is 30cm clearance around the compressor
- Restrict air flow around the end cover ventilation grilles.

### **Important !**

These compressors generate heat. Never restrict any of the ventilation grilles otherwise serious damage may occur.

## **Electrical Connections**

Where applicable, compressors are supplied with a moulded plug in accordance with national standards.

Never remove the moulded plug.

220v/50Hz models wired in accordance with European Standard –

Blue = neutral

Brown = live,

Yellow & Green Stripe = earth

110v/60Hz models wired in accordance with US Standard –

White = neutral

Black = live,

Yellow = earth

## Operation

### Starting & Stopping

Plug the compressor into an outlet socket of nominal voltage.

#### All models other than HTS5

Switch the compressor on using the red button on top of the pressure switch. The compressor will start running and automatically switch off at the preset pressure.

#### HTS5

Switch the compressor on by turning the red off/auto switch on the front of the case to auto.

As air is used the pressure drops and the motor will restart at the preset pressure. Approx 2 Bar differential.

Note!

Each time the compressor switches off, you will hear a short hiss of air. You are hearing the unloader valve discharging the residual delivery pipe pressure. This is normal.

### Adjusting Outlet Pressure

Use the pressure regulator to adjust the outlet pressure.

To increase line pressure, rotate the black knob [red on HT3 and HTS5] in a clockwise direction; to decrease turn anti clockwise. On some models it is possible to lock the setting by pushing the knob down until it "clicks" home.

On some models there are two pressure gauges. The larger gauge indicates the air receiver pressure, the smaller gauge indicates the air outlet pressure.

The pressure gauge on the HT3 and HTS5 indicates the air outlet pressure.

### **NOTE!**

NEVER unplug the compressor when running. Always switch off using the red button on the pressure switch or case to ensure the compressor discharges.

Failure to do so will cause damage and will invalidate your warranty.

## Routine Maintenance

Refer to preventative maintenance section for frequency. [Page 4]

### Draining the Air Receiver

Drain water condensate from air receiver at a pressure of no more than 2 Bar. Slowly open the drain tap provided to allow water to flow out. Close drain tap when all water has drained off.

The drain tap for the HTS5 is situated on the underside of the case.

### Draining the Filter/Regulator Unit (where fitted)

Slowly open the drain screw provided to allow water to flow out. Close drain screw when all water has drained off.

#### **Note !**

Waste water condensate must be handled in accordance with national environmental rules.

### Check Pressure Relief Valve

Ensure the air receiver is not pressurised.

Unscrew the knurled end of the pressure relief valve until an audible “click” is heard. Retighten without using excessive force.

The pressure relief valve on the HTS5 can be accessed by removing the case.

#### **Note !**

Isolate power supply before removing case.

## Technical

We recommend the compressor has a maximum 50% duty cycle to prolong pump life.

#### **Note !**

The motor must never be allowed to run continuously otherwise it will overheat and may become damaged.

Do not ignore air leaks. All air connections must be leak free to prevent the compressor from over heating.

The compressor is fitted with a thermal overload. In the event of excessive temperature, the motor will switch off. After about 50 minutes when the motor has cooled it will automatically reset.

You **must** find the cause of the overload and rectify this before continuing to use the compressor.

Check for -

- Drain tap not closed properly
- Air leaks on the pneumatic fittings
- Compressor not the correct size for the work load
- Cooling fan cover vent restricted

If problems persist contact your dealer.

## Technical Specification

HT Pump Specification	220v	110v
Motor Kw / Hp	0.55 / 0.75	0.55 / 0.75
Voltage	220/240	110
Frequency Hz	50	60
RPM	1400	1700
Displacement l/min	105	125

HT-2P Pump Specification		
Motor Kw / Hp	0.55 / 0.75	0.55 / 0.75
Voltage	220/240	110
Frequency Hz	50	60
RPM	2800	3300
Displacement l/min	144	175

HTS Pump Specification		
Motor Kw / Hp	0.55 / 0.75	
Voltage	220/240	
Frequency Hz	50	
RPM	1400	
Displacement l/min	105	

## Preventative Maintenance

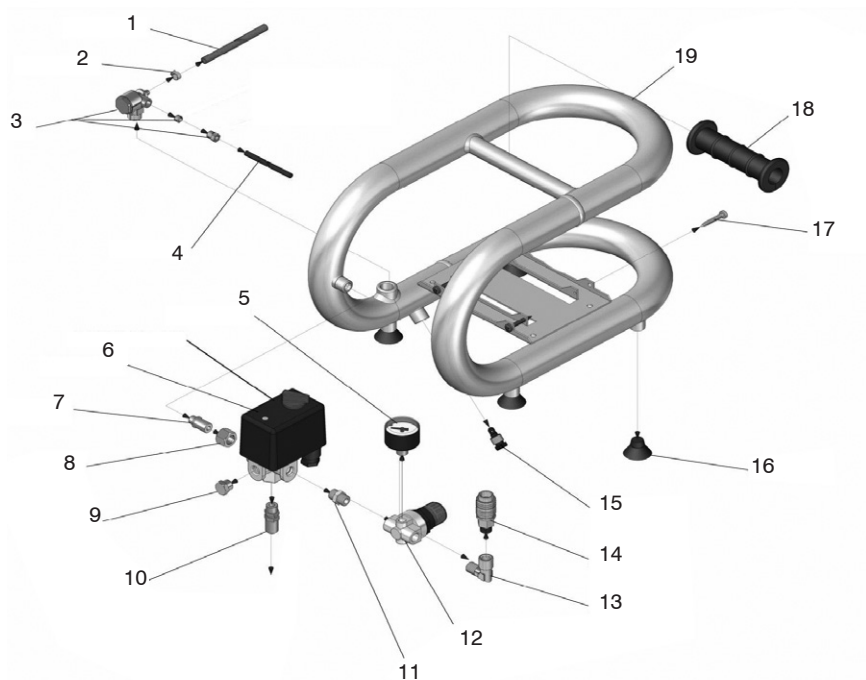
Operation	Daily	Weekly	Annually	2 Years	5 Years
Drain Air Receiver	•				
Replace Air Intake Filter			•		
Check Pressure Relief Activation			•		
Clean Ventilation Grilles			•		
Check Piston Ring					•

*Above are to be considered minimum frequency*

## HT3 Vessel spares

Ref No.	Description	Part no.
1	Nylon Tube [Red]	BPB1181
2	Tube Clamp	BPB1153
3	Non-Return Valve	BPB0964
4	Nylon Tube [Blue]	BPB1180
5	Pressure Gauge	BPB1077
6	Pressure Switch	BPB0997
7	Adaptor	BPB1179
8	Nut	BPB1178
9	Plug	BPB0019

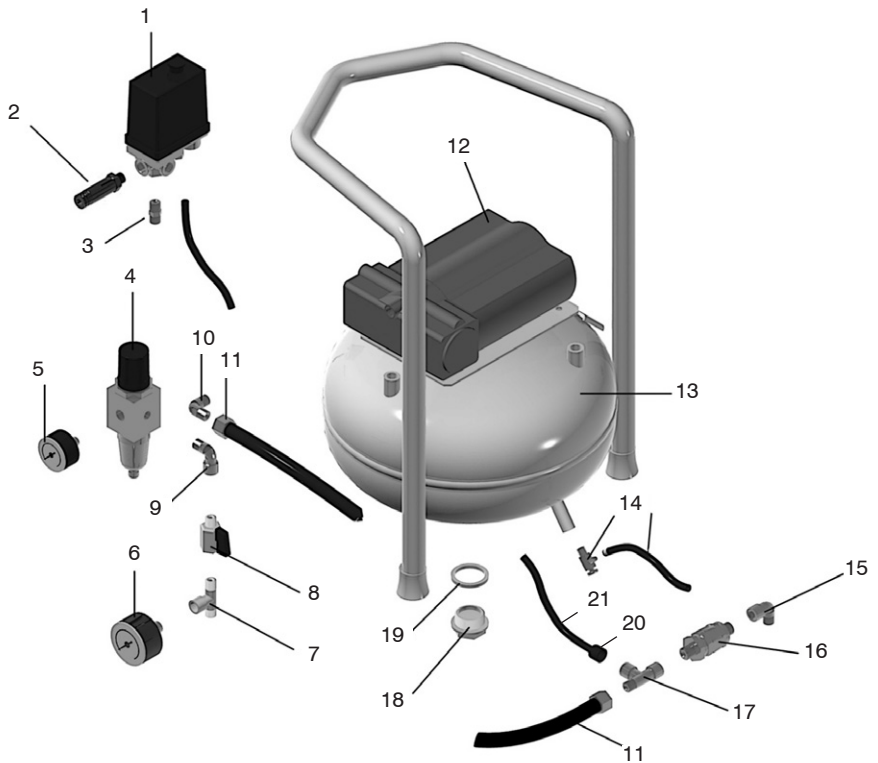
10	Safety Valve	BPB1084
11	Nipple	BPB1078
12	Regulator	BPB1157
13	Elbow	BPB1139
14	Quick Release Coupling	BPB1156
15	Drain Tap	BPB1177
16	Rubber Foot	BPB0996
17	Screw	BPB0891
18	Rubber Handle	BPB1176
19	3-Litre Vessel	BPB1175



## HT15 and 24 spares

Ref No.	Description	Part no.
1	Pressure Switch	BPB1074
2	Safety valve	BPB1084
3	1/4BSP Adaptor	BPB1078
4	Filter/Regulator - 10 micron	BPB1080
5	40mm Pressure gauge	BPB1077
6	50mm Pressure gauge	BPB1081
7	1/4BSP MFM T piece	BPB1095
8	On/off valve	BPB1079
9	1/4BSP MF elbow	BPB1139
10	1/4BSP MM elbow	BPB0448
11	200mm delivery pipe	BPB0879

12a	Oil-free pump 240v	BPB0883
12b	Oil-free pump 2P 240v	BPB0884
12c	Oil-free pump 110v	BPB0970
12d	Oil-free pump 2P 110v	BPB0971
13	HT 15 Tank assembly HT 24 Tank assembly	BPB0470 BPB0472
14	Drain tap, tube and clamp	BPB1138
15	1/4BSP MF elbow	BPB1139
16	1/4BSP Non-return valve	BPB1086
17	T-piece MFF	BPB1109
18	1BSP Inspection plug	BPB0243
19	Inspection plug seal	BPB0502
20	1/4BSP M Push-in tube fitting	BPB0043
21	6mm Black nylon tube	BPB0203

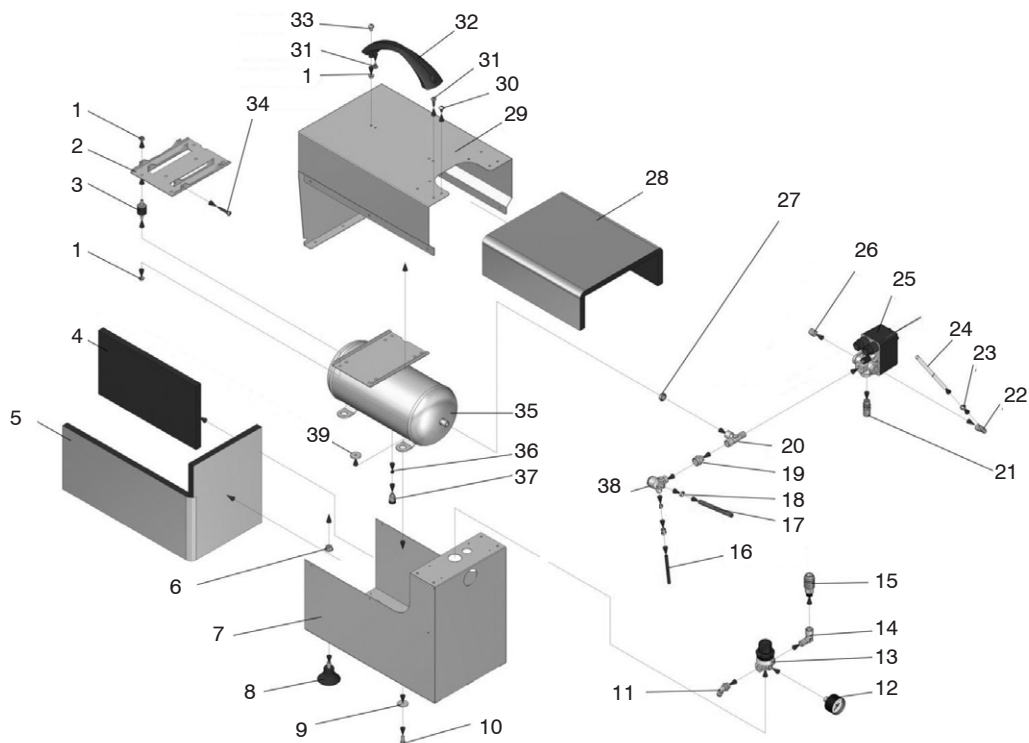




## HTS Cabinet spares

Ref No.	Description	Part no.
1	Nut	BPB1171
2	Mounting Plate	BPB0898
3	Anti-Vibration Mount	BPB1172
4	Acoustic Foam Base	BPB1169
5	Acoustic Foam Base	BPB1168
6	Nut	BPB1167
7	Base Panel [Black]	BPB1166
8	Rubber Foot	BPB1165
9	Washer	BPB1164
10	Screw	BPB1163
11	Tube Fitting	BPB1158
12	Pressure Gauge	BPB1077
13	Regulator	BPB1157
14	Elbow	BPB1139
15	Quick Release Coupling	BPB1156
16	Nylon Tube [Blue]	BPB1159
17	Nylon Tube [Red]	BPB1155
18	Tube Clamp	BPB1153
19	Reducer	BPB1154

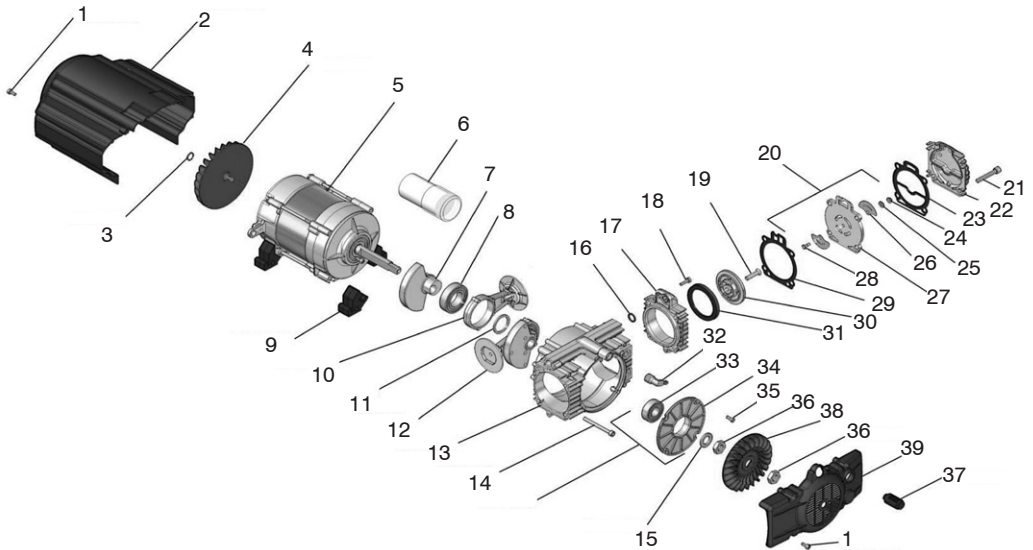
20	Tee Piece	BPB1109
21	Safety Valve	BPB1084
22	Elbow	BPB0952
23	Tube Clamp	BPB1153
24	Nylon Tube [Nat.]	BPB1152
25	Pressure Switch	BPB0997
26	Plug	BPB0019
27	Nut	BPB1151
28	Acoustic Foam Top	BPB1150
29	External Top Panel [White]	BPB1149
30	Screw	BPB1148
31	Screw	BPB1147
32	Handle	BPB1182
33	Screw	BPB1174
34	Screw	BPB1173
35	5-Litre Vessel [Black]	BPB1162
36	Drain Tap O Ring	BPB1161
37	Drain Tap	BPB1160
38	Non-Return Valve	BPB0964
39	Threaded Washer	BPB1170



## HT Pump spares

Ref No.	Description	Part no.
1	Screw	BPB0962
2	Fan/Motor cover - black	BPB0930
3	Circlip	BPB0929
4	Motor Fan	BPB0928
5	Motor	N/A
6	Capacitor 20mfd	BPB0927
7	Crank	BPB0931
8	Con Rod bearing	BPB0932
9	Anti-Vibration mount	BPB0926
10	Con Rod	BPB0933
11	Washer	BPB0934
12	Con Rod [complete]	BPB0935
13	Crankcase	BPB0963
14	Bolt	BPB0954
15	Washer	BPB0957
16	O Ring	BPB0936
17	Cylinder	BPB0937
18	Cylinder screw	BPB0938
19	Screw - Piston Top	BPB0940

20	Valve Plate [complete]	BPB0946
21	Cylinder Head Bolt	BPB0951
22	Cylinder head	BPB0950
23	Cylinder Head Gasket	BPB0949
24	Valve Plate Nut	BPB0683
25	Valve Plate Washer	BPB0684
26	Valve outlet	BPB0944
27	Valve Plate only	BPB0945
28	Valve Plate bolt	BPB0687
29	Valve Plate Gasket	BPB0942
30	Piston Top	BPB0941
31	Piston Seal	BPB0623
32	Elbow	BPB0952
33	Bearing	BPB0953
34	Flange	BPB0955
35	Bolt	BPB0956
36	Nut	BPB0958
37	Air Intake Filter	BPB0961
38	Pump fan	BPB0959
39	Pump fan cover	BPB0960



## HTS Pump spares

Ref No.	Description	Part no.
1	Circlip	BPB0929
2	Motor Fan	BPB0928
3	Motor	N/A
4	Capacitor 20mfd	BPB0927
5	Crank	BPB0931
6	Con Rod bearing	BPB0932
7	Anti-Vibration mount	BPB0926
8	Con Rod	BPB0933
9	Washer	BPB0934
10	Con Rod [complete]	BPB0935
11	Crankcase	BPB0963
12	Bolt	BPB0954
13	Washer	BPB0957
14	O Ring	BPB0936
15	Cylinder	BPB0937
16	Cylinder screw	BPB0938
17	Screw - Piston Top	BPB0940

18	Valve Plate [complete]	BPB0946
19	Cylinder Head Bolt	BPB0951
20	Cylinder head	BPB0950
21	Cylinder Head Gasket	BPB0949
22	Valve Plate Nut	BPB0683
23	Valve Plate Washer	BPB0684
24	Valve outlet	BPB0944
25	Valve Plate only	BPB0945
26	Valve Plate bolt	BPB0687
27	Valve Plate Gasket	BPB0942
28	Piston Top	BPB0941
29	Piston Seal	BPB0623
30	Elbow	BPB0952
31	Bearing	BPB0953
32	Flange	BPB0955
33	Bolt	BPB0956
34	Nut	BPB0958
35	Air Intake Filter	BPB0961

